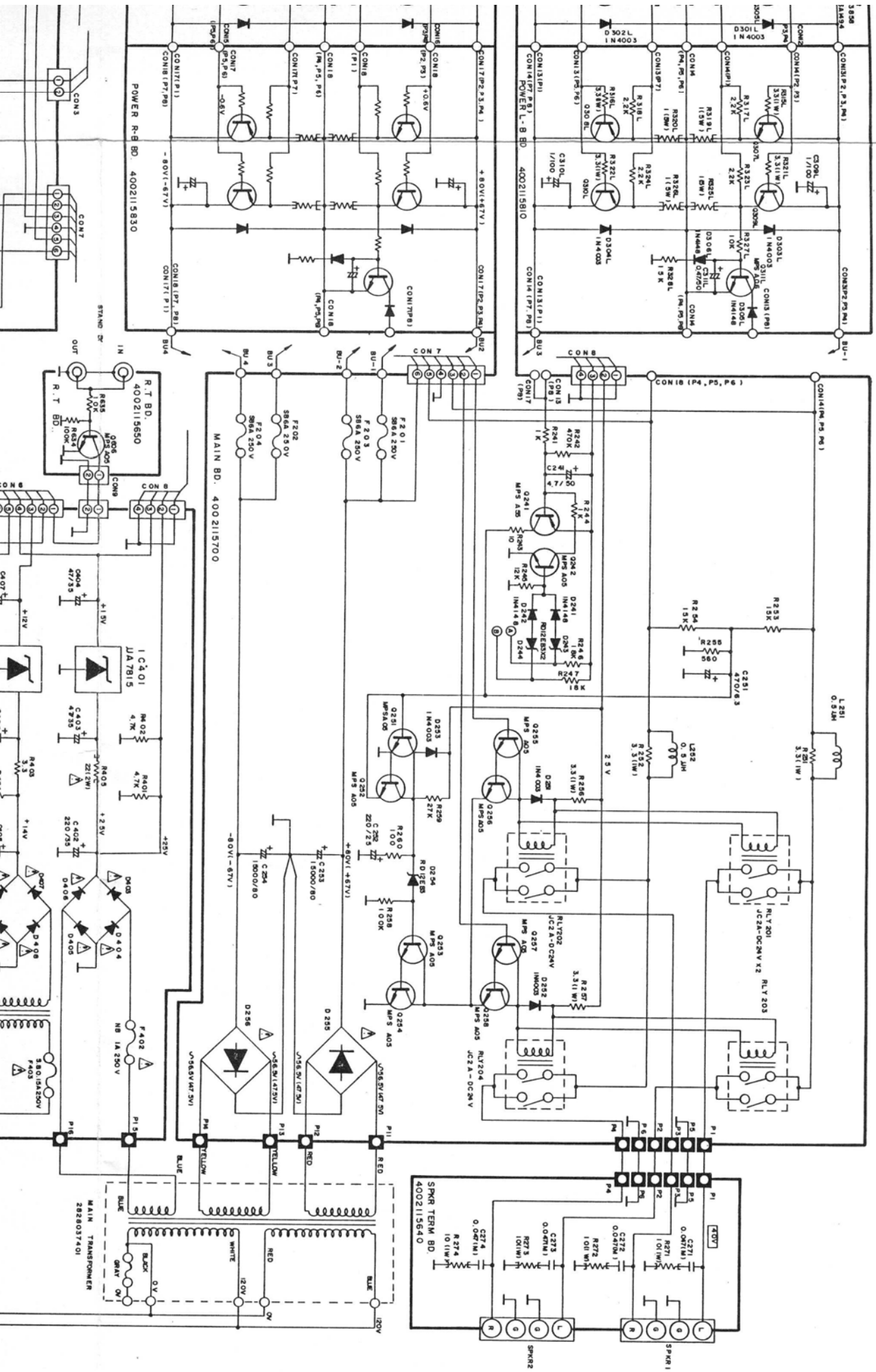
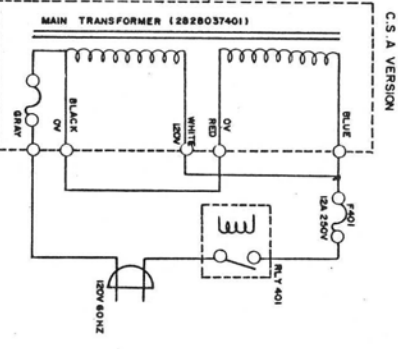
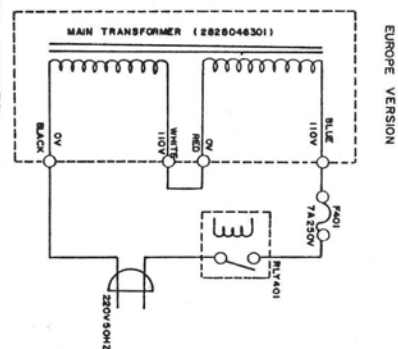
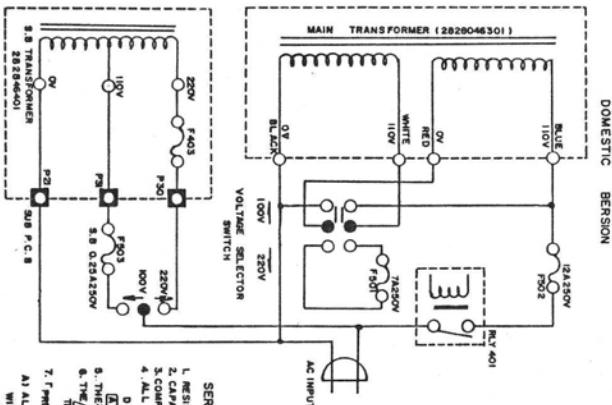
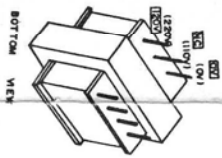
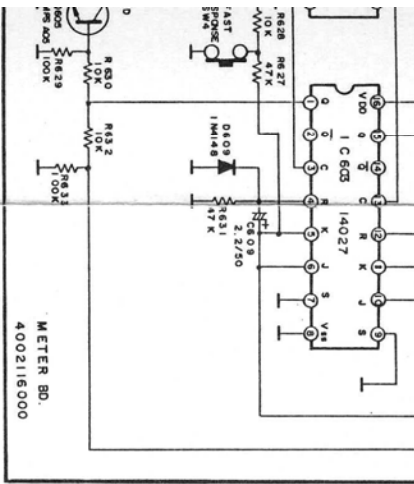
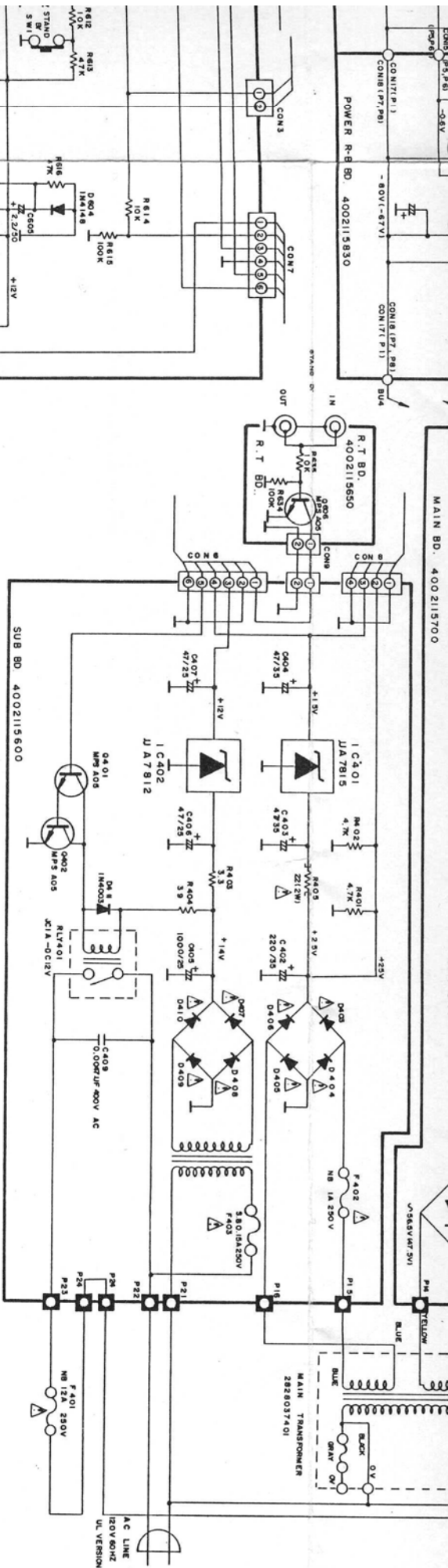


Schematic Diagram A502



D
E
F
G



SERVICE INFORMATION

- RESISTANCE VALUES ARE INDICATED IN OHMS UNLESS OTHERWISE SPECIFIED. (K=1,000 M=1,000,000)
- CAPACITANCE VALUES ARE SHOWN IN MICROFARADS UNLESS OTHERWISE NOTED. (P=PICTO-MICRO FARADS)
- COMPONENTS IDENTIFIED BY A TRIANGLE ARE TO BE REPLACED WITH THE SAME TYPE AND RESISTANCE TO GROUND UNDER THE FOLLOWING CONDITION:
 - A. C: NO SIGNAL WHERE INDICATED
 - B. D: NO SIGNAL AT THESE POINTS (DONT PULL SIGNAL)
- THE MARKER FOUND ON SOME COMPONENT PARTS INDICATES THE IMPORTANCE OF THE SAFETY FACTOR OF THE PARTS. THEREFORE, WHEN REPLACING BE SURE TO USE PARTS OF IDENTICAL DESIGNATION.
- REGULATION

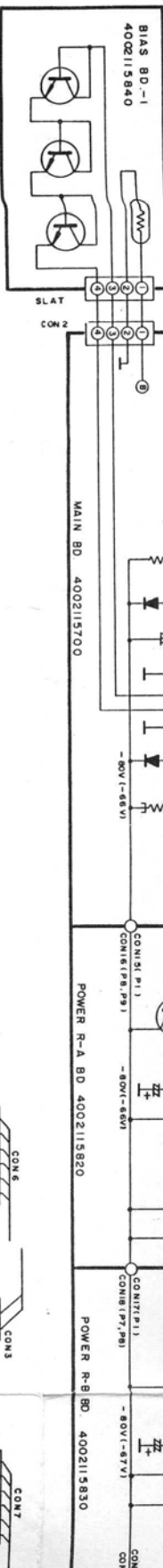
ALL REPLACEMENT COMPONENTS IDENTIFIED BY A TRIANGLE MUST BE REPLACED ONLY WITH ORIGINAL TYPE SPECIFIED BY THE MANUFACTURER AND INSTALLED AS THE ORIGINAL, WITH SPACERS AND POSITIONED AWAY FROM ADJACENT COMPONENTS WHERE APPLICABLE.

- ALL SOLDERING MUST BE DONE IN A PROFESSIONAL MANNER USING SOLDER WITH ROHS COMPLIANT.
- ALL COVERS, SHIELDS AND INSULATING SPACERS MUST BE REPLACED BEFORE RETURNING APPLIANCE TO CUSTOMER.
- APPLIANCE CUSTOMER MUST BE INSTRUCTED TO RETURNING APPLIANCE TO CUSTOMER.
- APPLIANCE CUSTOMER MUST BE INSTRUCTED TO RETURNING APPLIANCE TO CUSTOMER.

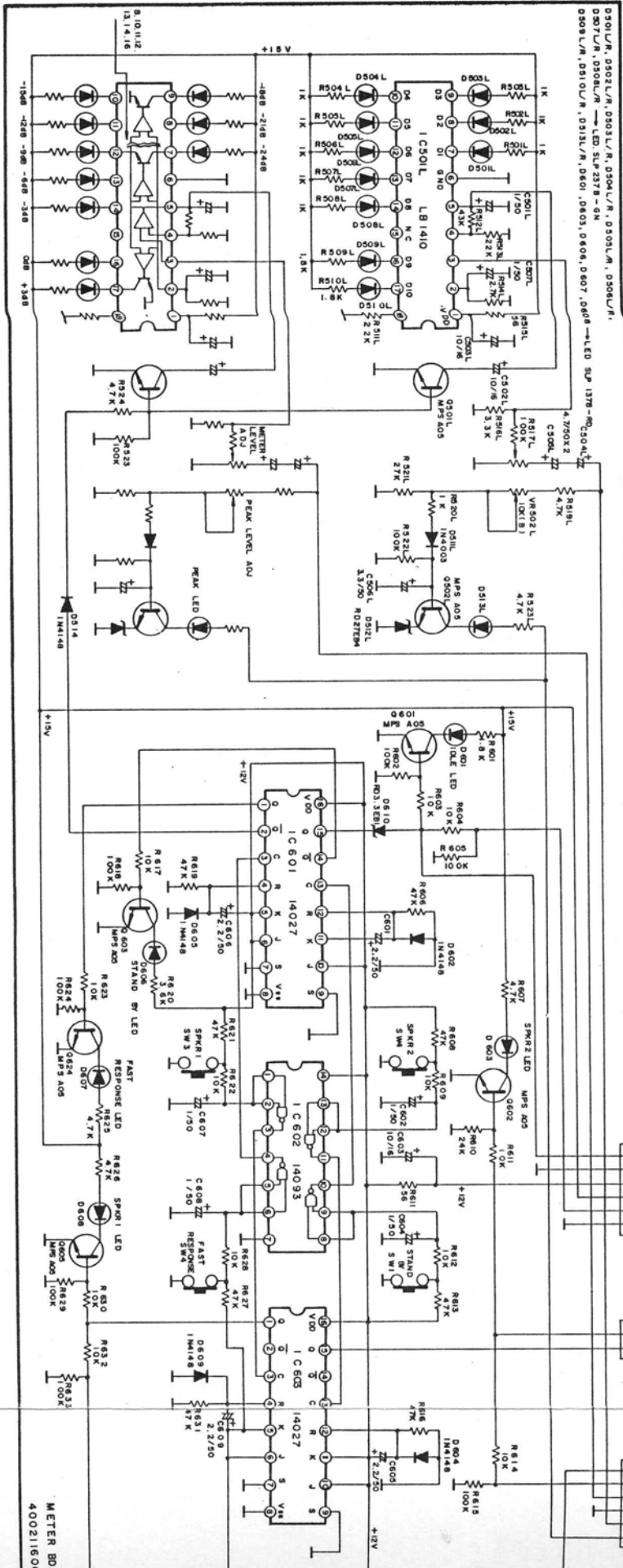
8) A DEFLECTING TEST CONSISTING OF 100V AC 60HZ IS TO BE APPLIED BETWEEN THE MAIN TRANSFORMER AND THE POWER SUPPLY COND ATTACHMENT FLUG AND THE EXPOSED CONDUCTIVE SURFACE OF THE APPLIANCE FOR A PERIOD OF NOT LESS THAN ONE SECOND BEFORE RETURNING APPLIANCE TO CUSTOMER.

*Secondary Transformer
Drawn Load = .08 Amps
Measured 11/24/00 @ 14VDC*

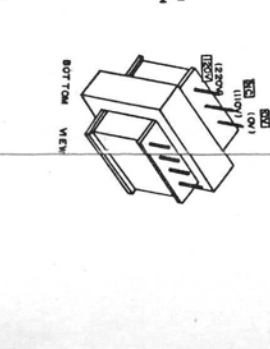
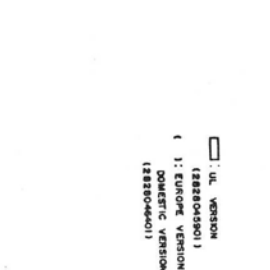
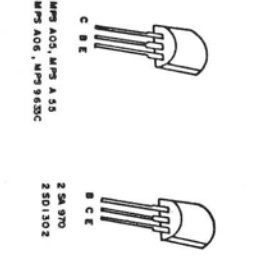
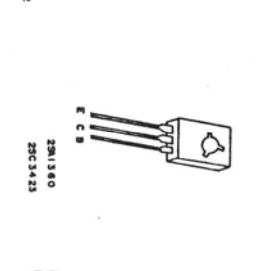
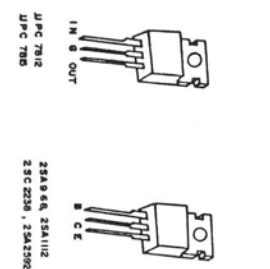
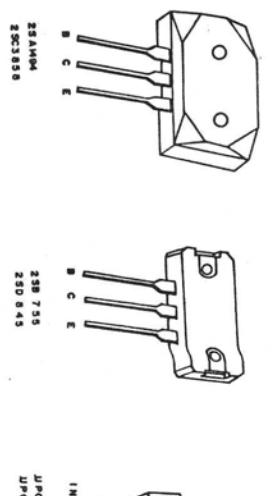
D E F G



3



4



UL VERSION
(282804501)
EUROPEAN VERSION
DOMESTIC VERSION
(282804401)

A

B

C

D

5

Schematic Diagram
A502

